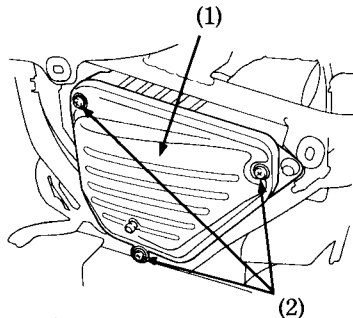


AIR CLEANER

(Refer to the maintenance precautions on page 47).

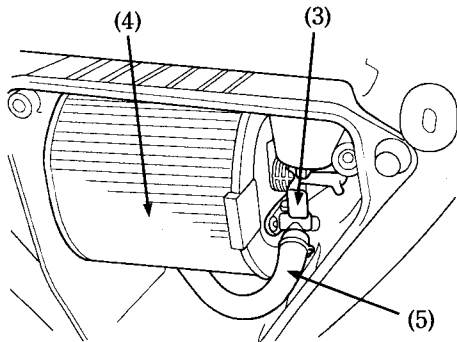
The air cleaner should be serviced at regular intervals (page 43). Service more frequently when riding in unusually wet or dusty areas.

1. Remove the seat (see page 30) and the side cover (see page 31).
2. Remove the air cleaner cover (1) by removing the three screws (2).



- (1) Air cleaner cover
(2) Screws

3. Pull out the element retainer (3) and remove the air cleaner element (4).
4. Disconnect the tube (5) from the air cleaner element.
5. Discard the air cleaner element.
6. Install a new air cleaner element.
7. Install the removed parts in the reverse order of removal.



- (3) Element retainer (5) Tube
(4) Air cleaner element