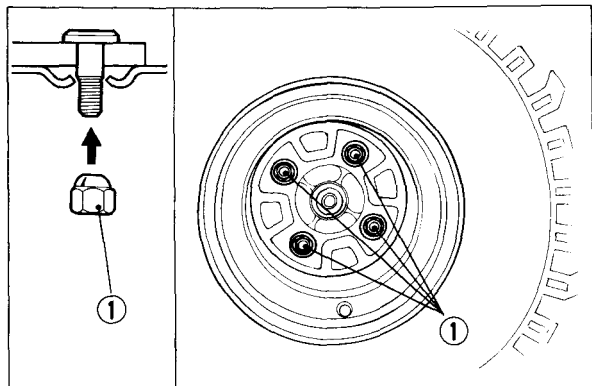


Rear Wheel Removal

1. Place a support block under the vehicle and raise the rear wheel off the ground.
2. Remove the wheel nuts (1).
3. Remove the wheel.



(1) Wheel nuts

Installation Notes:

Reinstall the rear wheels with valve stems to the outside and tighten the wheel nuts (1) in a cross pattern to 60–70 N·m (6.0–7.0 kg·m, 43–50 ft·lb).

WARNING

- * *If a torque wrench was not used for installation, see your authorized Honda dealer as soon as possible to verify proper assembly.*

NOTE:

- * Install rear wheels so tire tread directional pattern will be same as front tire.