

BRAKES

Front Brake Lever

Measure the distance the brake lever moves before the brake starts to take hold.

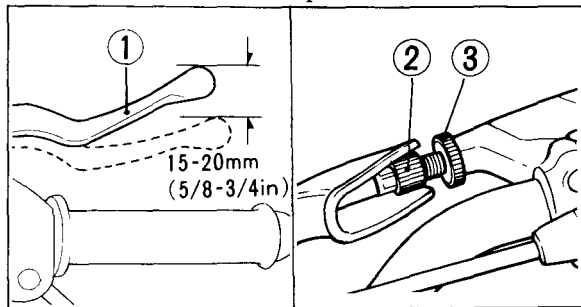
Free play, measured at the tip of the front brake lever (1), should be within 15–20 mm (5/8–3/4 in.).

Minor adjustments can be made with the upper adjuster (2) on the front brake lever. Loosen the lock nut (3) and turn the upper adjuster (2).

Major adjustment should be made using the lower adjuster (4). Loosen the lock nut (3) and turn the upper adjuster (2) all the way in before making major adjustment.

NOTE:

* Make sure the cut-out on the lower adjuster (4) is seated on the brake arm pin.



(1) Front brake lever

(2) Upper adjuster

(3) Lock nut

Other Checks:

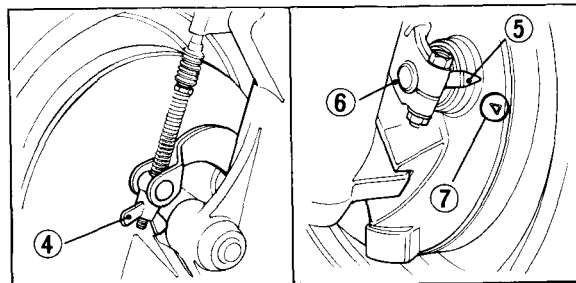
Check the brake cable for kinks or signs of wear that could cause sticking or failure. Lubricate the brake cable with a commercially available cable lubricant to prevent premature wear and corrosion.

Make sure the brake arm, spring, and fasteners are in good condition.

Wear Indicator:

When the brake is applied, an arrow (5) attached to the brake arm (6) moves toward a reference mark (7) on the brake panel.

If the arrow aligns with the reference mark on full application of the brake, the brake shoes must be replaced. See your authorized Honda dealer for this service.



(4) Lower adjuster

(6) Brake arm

(5) Arrow

(7) Reference mark