

BRAKE SHOE WEAR

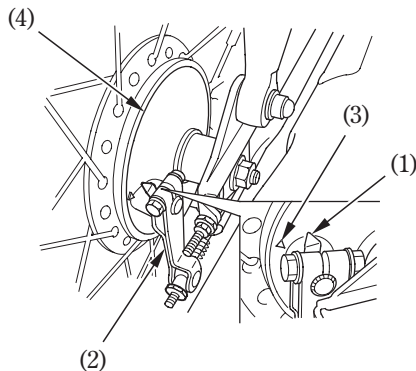
Refer to the Safety Precautions on page 63 .

The rear brake is equipped with a brake wear indicator.

When the brake is applied, an arrow (1) attached to the brake arm (2) moves toward a reference mark (3) on the brake panel (4). If the arrow aligns with the reference mark on full application of the brake, the brake shoes must be replaced. See your Honda dealer for this service.

When the brake service is necessary, see your Honda dealer. Use only Honda Genuine Parts or its equivalent.

< REAR BRAKE >



(1) Arrow
(2) Brake arm

(3) Reference mark
(4) Brake panel