

## SPARK PLUG

Refer to the Safety Precautions on page 63 .

Recommended plugs:

Standard:

CPR6EA-9 (NGK) or  
U20EPR9 (DENSO)

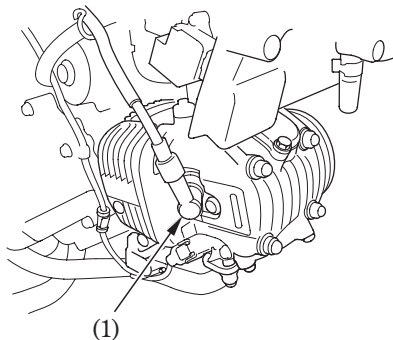
For extended high speed riding:

CPR7EA-9 (NGK) or  
U22EPR9 (DENSO)

### NOTICE

Never use a spark plug with an improper heat range. Severe engine damage could result.

1. Remove the front top cover (page 43) and right leg shield (page 44).
2. Disconnect the spark plug cap (1) from the spark plug.
3. Clean any dirt from around the spark plug base.
4. Using a spark plug wrench provided in the tool kit, remove the spark plug.



(1) Spark plug cap